

Pool Board & Oversight Committee  
Council Chambers  
March 18, 2026  
Meeting Minutes

Oversight Members Present: Jim Williams, Rick Reed, Lou Potter

Pool Board Members Present: Rachel Albert, Andrea Hamilton, Steve Boeder

Also Present: Will Parsons, Aquatics Director; Devin Stoutenborough, Pool Manager

**The meeting was called to order at 7:01 PM**

**Approval of Minutes**

The minutes from the February meeting were approved, pending spelling errors were addressed and re-submitted.

**Pool Manager Report**

Devin distributed a copy of the pool employee manual for the group to look over. Included in this document are expectations for pool employees. All employees will sign it after receiving and reading it.

Jim asked about employee reviews. Devin said that he documents all incidents. Could look at doing a mid-season review. It is difficult because it is time consuming. Will and Devin will work on a performance review. Devin shared that he is big on reprimanding in private and praising in public. Will said we could have the employees tell us what they need/want to know in these reviews. Rachel suggested having the assistant managers help.

Will and Devin have completed the task list for February and March. Interviews are scheduled. There were 25 people who applied for concessions. 13 will be hired to go with the 7 returners. Plan is to hire as many lifeguards as possible, there are 22 applicants. They all need to pass their certification still. There will be a certification offered in town in May. The instructor is offering a lowered price. Part of the certification happens remotely before an in-person class. There will be 11 returning guards. Last season (for just Germantown) there were 15 total guards.

Devin is getting concession supplies and making sure that we get 55%-60% profit on concessions. He also said that, in regard to the adirondack chairs, that guards need to be attentive either way and so was not in favor of getting rid of them.

Lastly, Devin thanked Fire Chief Dan Alldred for the great resource he has been to the pool and wishes him well on his retirement.

**Other Business**

Will provided an update on memberships.

- Resident – 89
- Non-resident – 20
- Total – 20

We currently have 12 pool parties scheduled.

The MOU from Farmersville regarding our agreement on shared employees has been signed and returned to us.

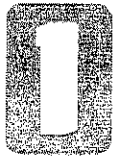
All of the needed items for the slide permit from the City have been submitted. We are waiting on Mason Water Slides to submit the final documents. We were granted an extension for submission (April 13). Getting the needed engineering plans completed was an additional \$6000 expense for Mason, which they will be charging to us. Once everything is approved it will take about 7-10 days to build the slide. If need be, it can be set up while the pool is open, provided we close off the area immediately around the work being done.

St. John's daycare will return once again this season. They will be present on Tuesdays and Thursdays, which is the same as previous years. We also have 5 Fridays scheduled with a daycare from Fairfield that came last season. These will all be on Fridays.

Bryan and James from the Service Department are both getting their Certified Pool Operators License. It will cost \$780 total.

It was also discussed that a survey for parents of children who complete swim lessons would provide helpful feedback. In previous meetings, it was discussed that we need to decide what the goal of lessons would be, and in this meeting it was discussed that our lessons should be aimed for younger children and provide basic swim safety, not advanced skills.

**Meeting adjourned 7:50 pm**



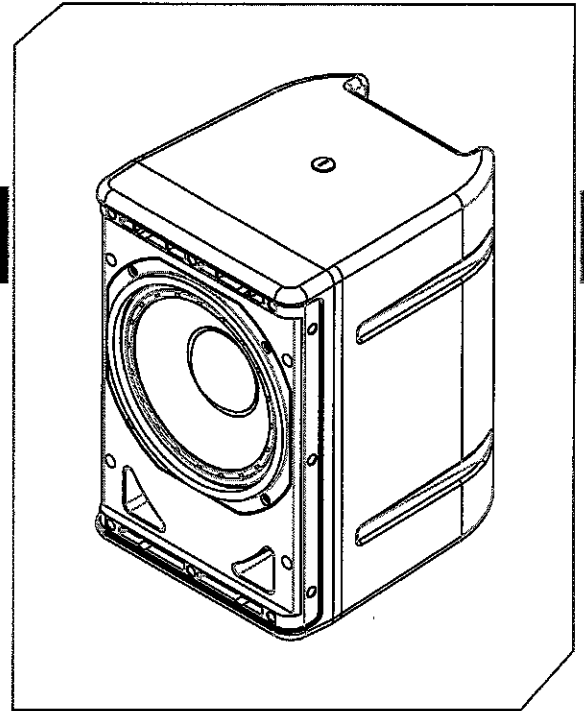
**ONE SYSTEMS®**  
DIRECT WEATHER LOUDSPEAKERS

# 108HTC™

## DIRECT WEATHER HIGH PERFORMANCE LOUDSPEAKER SYSTEM

The One Systems 108HTC is a universal direct weather loudspeaker system designed for use in both Marine environments and general purpose inland environments. The 8 inch coaxial design provides point source acoustic radiation from a compact enclosure. The 108HTC utilizes 316- grade stainless steel (marine-grade) for all structural and rigging points. All associated One Systems rigging accessories are also 316-grade stainless steel. All metal components that are not structural feature a newly developed marine-grade powder coat over 304-grade stainless steel. This allows the 108HTC to be used in ocean front and cruise ship applications, as well as in general direct weather installations. **IMPORTANT NOTE:** For ocean front and marine environments the included "vent plugs" **must** be installed in the loudspeaker vents! The 108HTC also features an installer configurable High Z or Lo Z mode. The High Z mode features a wide bandwidth 150-watt autoformer that presents input taps of 150 watts, 75 watts, and 37.5 watts. The Lo Z mode is 8-ohms. The simple configuration process is found on the third page of this data sheet, or on the One Systems web site ([www.onesystems.com](http://www.onesystems.com)). The configuration scheme does not utilize any switches that limit system reliability. The Hi Z mode allows for either 70.7Vrms or 100Vrms operation. The 108HTC offers a medium-format titanium compression driver and high-order filtering that provides superb intelligibility, extended bandwidth, as well as superior system dynamics.

The 108HTC is optimized for outdoor short throw to medium throw applications such as theme parks, parade routes, baseball and football stadiums, and other entertainment/sports venues where permanent installation is required. The 108HTC is a very versatile design that offers high performance in a small physical package.



### FEATURES & BENEFITS

- » Marine-grade (316) stainless steel rigging and structural support
- » Easily configurable Hi Z (150 Watt) multi tap or Lo Z (8 ohm) operation
- » Combined 70.7Vrms or 100Vrms operation
- » No performance degrading or dynamics limiting passive protection devices
- » 200 watts continuous, 800 watts peak power handling in the Lo Z mode
- » IEC 529 IP 45 ingress protection (IP 56 with vent plugs)

### SPECIFICATIONS

<b>Frequency Response:</b>	70Hz – 16,000Hz	<b>Dimensions (H x W x D) mm:</b>	350 x 233.2 x 271.4
<b>Coverage Pattern:</b>	70 x 70 Conical	<b>Dimensions (H x W x D) in:</b>	13.8 x 9.2 x 10.7
<b>Crossover Frequency:</b>	1600 Hz		
<b>System Sensitivity (1 Watt / 1 Meter):</b>	92dB		
<b>Power Handling:</b>	200 watts continuous 400 watts program 800 watts peak		
<b>Input impedance (Lo Z):</b>	8-ohms		
<b>Input Taps (Hi Z):</b>	150 watts, 75 watts, 37.5 watts		
<b>Weight:</b>	13.6kg (29.9 lb.)		



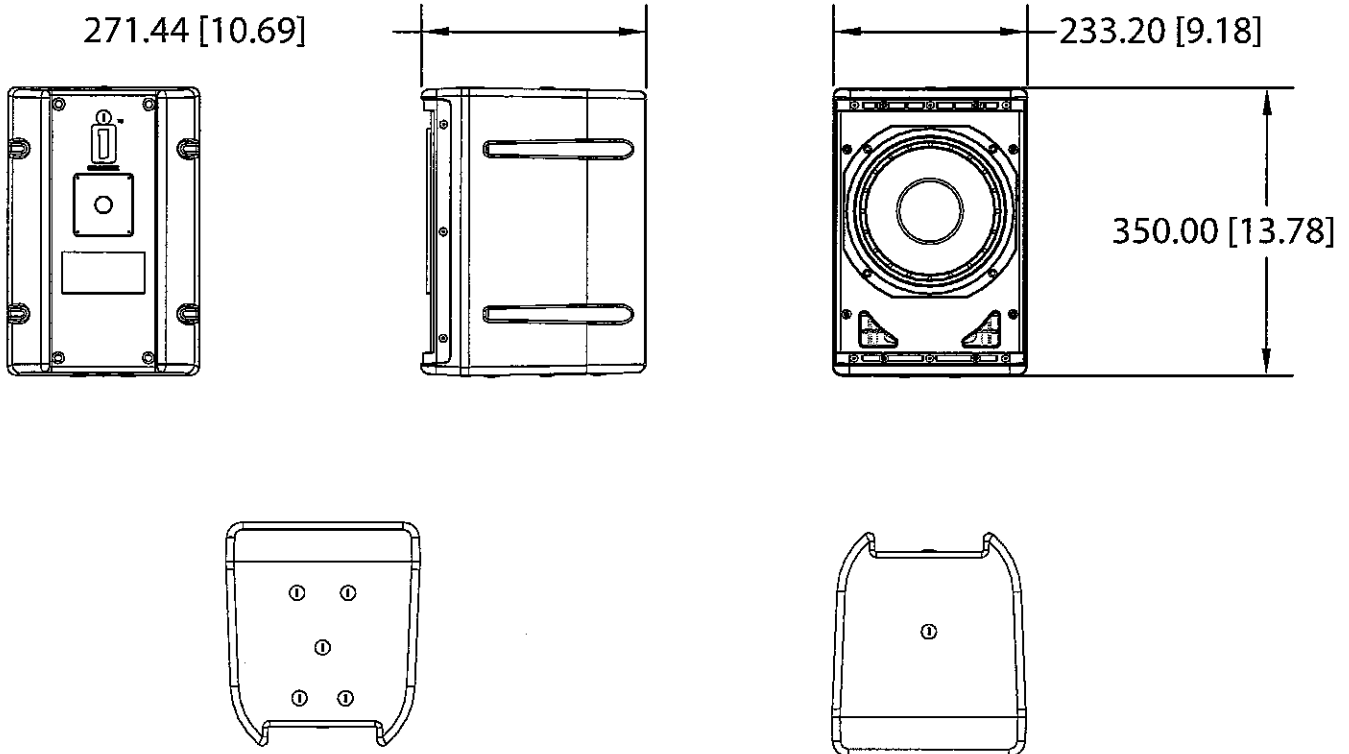
**ONE SYSTEMS®**  
DIRECT WEATHER LOUDSPEAKERS

# 108HTC™

## DIRECT WEATHER HIGH PERFORMANCE LOUDSPEAKER SYSTEM

The 108HTC is a two-way design featuring a wide coverage pattern of 70 degrees by 70 degrees. The pattern is conical. This medium Q pattern is ideal for short to medium throw applications and where higher sound pressure levels and longer throw are specified. The high frequency wave guide provides optimal loading for the true compression driver. The 8-inch low frequency component features a very large voice coil diameter, insures high reliability and excellent linearity.

The One Systems 108HTC features 7 each M8 rigging points on the enclosure. These rigging points may be used with the One Systems PM3/M pole mount system or the PT38/M rigging brackets. The PT38/M is used for flat surface mounting. An optional U-bracket, the 108HTC-U/M is also available as an accessory. The enclosure is an injection molded design that utilizes a high-impact copolymer material that exhibits superior weather resistance. The 108HTC is available in either black or white color. Both color options are stabilized for ultra violet exposure. The enclosure features a three-layer "rain shield" grille design and an input weather cover with a water proof gland nut. The system ingress protection is rated at IP 45 in normal configuration and IP 56 when the vent plugs are utilized.



**ONE SYSTEMS®**

One Systems, Inc • Nashville, TN  
One Systems Global Co. Ltd. • 399/1 Srinakarin Road • Huamak, Bangkok  
Bangkok, Thailand 10240



**ONE SYSTEMS®**  
DIRECT WEATHER LOUDSPEAKERS

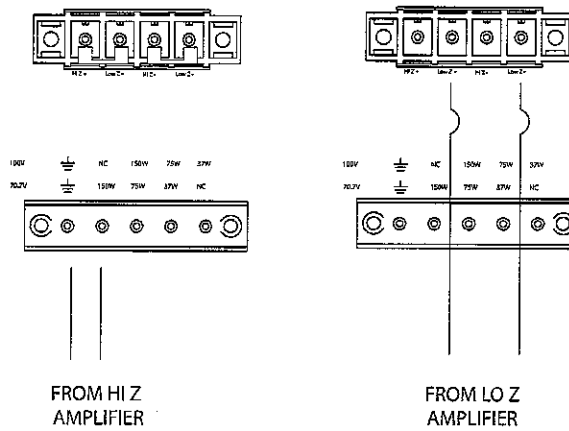
# 108HTC™

## DIRECT WEATHER HIGH PERFORMANCE LOUDSPEAKER SYSTEM

The One Systems 108HTC is designed to be easily configured for either low impedance (Lo Z) 8-ohm operation or Hi Z (70.7Vrms or 100Vrms) operation. The 108HTC is shipped from the factory configured for Hi Z (70.7Vrms or 100Vrms) operation. In this mode the wiring from an amplifier is connected to the lower (5-position) barrier strip. **No** wiring is required on the top (4 position) barrier strip. The two "shorting" links (shown in the image) must be left in place for Hi Z operation. The image on the left represents the Hi Z configuration.

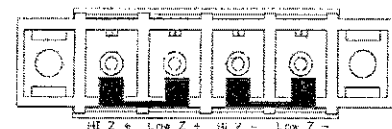
The lower (5-position) barrier strip may be wired for either 70.7Vrms or 100V operation. The specific positions used are determined by whether 70.7Vrms or 100Vrms wiring is required.

For Lo Z (8-ohm) operation the two "shorting" links must be removed. **All** wiring for Lo Z operation is on the top (4-position) barrier strip. The lower (5-position) barrier strip is **not** used for Lo Z operation. For Lo Z operation the "Low Z +" and "Low Z -" positions on the 4-position barrier strip are used. **Do not** wire to the "High Z +" or the "High Z -" positions for Lo Z operation. The image on the right shows the two "shorting" links removed and the amplifier wiring to the "Low Z +" and "Low Z -" positions.



"NOTE: There are four shorting links installed on the 4 position barrier strip. Two are used in each position and are "stacked" in parallel. ALL four shorting links must be removed for Low Z operation. ALL four shorting links (two in each position) MUST be used for Hi Z (70Vrms or 100Vrms) operation." Full wiring instructions for Hi Z and Low Z operation are found on the last page of the product data sheet.

The image below shows the position of the barrier strips (in red color). There are two stacked shorting links that connect the H Z+ to Low Z+. There are also two stacked shorting links that connect the Hi Z- to Low Z-. These links must be used for Hi Z operation (70Vrms or 100Vrms). They must be removed for Low Z operation.



**ONE SYSTEMS®**

One Systems, Inc • Nashville, TN  
One Systems Global Co. Ltd. • 399/1 Srinakarin Road • Huamak, Bangkok  
Bangkok, Thailand 10240